

- 1
- 2
- 3
- 4
- 5
- 6
- 7
- 8
- 9
- 10
- 11
- 12
- 13
- 14
- 15
- 16
- 17
- 18
- 19

VERSIONS

- Version **V**: with anti-twist protection
- Version **F**: with anti-twist protection, with spring
- Version **S**: reinforced

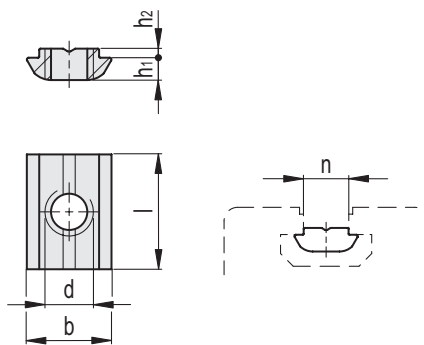
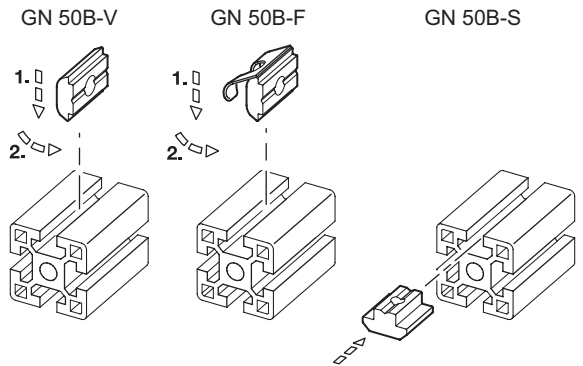
Zinc-plated steel, blue passivated **SZ**

FEATURES AND APPLICATIONS

T-nuts GN 50B fasten attachments and accessories in the slot of aluminum profiles.

The spring of type F secures the T-nut against unwanted slipping in the groove, making installation easier.

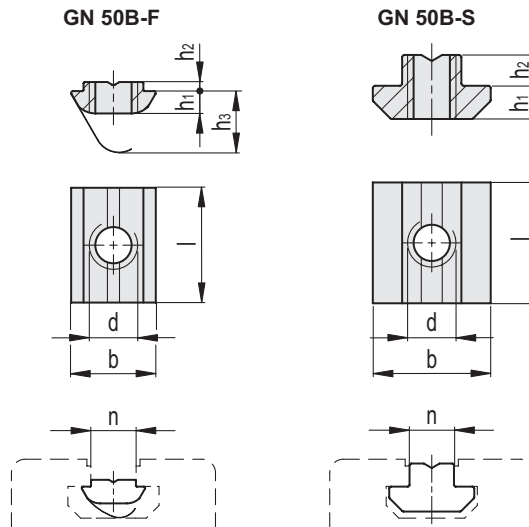
T-nuts of types V and F can be swiveled into the slot at any position.



GN 50B-V

| Code | Description | b | n | d | h1 | h2 | Length l | ⚖ |
|----------|------------------|------|----|----|-----|-----|-------------|---|
| GN.72711 | GN 50B-8M4-V-SZ | 11.6 | 8 | M4 | 3.8 | 1 | 16 | 5 |
| GN.72717 | GN 50B-8M5-V-SZ | 11.6 | 8 | M5 | 3.8 | 1 | 16 | 4 |
| GN.72723 | GN 50B-8M6-V-SZ | 11.6 | 8 | M6 | 3.8 | 1 | 16 | 3 |
| GN.72729 | GN 50B-8M8-V-SZ | 11.6 | 8 | M8 | 3.8 | 1 | 16 | 2 |
| GN.72735 | GN 50B-10M4-V-SZ | 14 | 10 | M4 | 3.8 | 1.5 | 20 | 9 |
| GN.72741 | GN 50B-10M5-V-SZ | 14 | 10 | M5 | 3.8 | 1.5 | 20 | 8 |
| GN.72747 | GN 50B-10M6-V-SZ | 14 | 10 | M6 | 3.8 | 1.5 | 20 | 7 |
| GN.72751 | GN 50B-10M8-V-SZ | 14 | 10 | M8 | 3.8 | 1.5 | 20 | 6 |

Standard machine parts



GN 50B-F

| Code | Description | b | n | d | h1 | h2 | h3 | Length | ⚖ |
|----------|------------------|------|----|----|-----|-----|----|--------|----|
| GN.72707 | GN 50B-8M4-F-SZ | 11.6 | 8 | M4 | 3.8 | 1 | 8 | 16 | 5 |
| GN.72713 | GN 50B-8M5-F-SZ | 11.6 | 8 | M5 | 3.8 | 1 | 8 | 16 | 4 |
| GN.72719 | GN 50B-8M6-F-SZ | 11.6 | 8 | M6 | 3.8 | 1 | 8 | 16 | 3 |
| GN.72725 | GN 50B-8M8-F-SZ | 11.6 | 8 | M8 | 3.8 | 1 | 8 | 16 | 2 |
| GN.72731 | GN 50B-10M4-F-SZ | 14 | 10 | M4 | 3.8 | 1.5 | 12 | 20 | 10 |
| GN.72737 | GN 50B-10M5-F-SZ | 14 | 10 | M5 | 3.8 | 1.5 | 12 | 20 | 9 |
| GN.72743 | GN 50B-10M6-F-SZ | 14 | 10 | M6 | 3.8 | 1.5 | 12 | 20 | 8 |
| GN.72749 | GN 50B-10M8-F-SZ | 14 | 10 | M8 | 3.8 | 1.5 | 12 | 20 | 7 |

GN 50B-S

| Code | Description | b | n | d | h1 | h2 | Length | ⚖ |
|----------|------------------|------|----|----|-----|-----|--------|----|
| GN.72701 | GN 50B-6M4-S-SZ | 9.6 | 6 | M4 | 3 | 3 | 10 | 3 |
| GN.72703 | GN 50B-6M5-S-SZ | 9.6 | 6 | M5 | 3 | 3 | 10 | 2 |
| GN.72705 | GN 50B-6M6-S-SZ | 9.6 | 6 | M6 | 3 | 3 | 10 | 1 |
| GN.72709 | GN 50B-8M4-S-SZ | 11.6 | 8 | M4 | 4 | 4 | 16 | 9 |
| GN.72715 | GN 50B-8M5-S-SZ | 11.6 | 8 | M5 | 4 | 4 | 16 | 8 |
| GN.72721 | GN 50B-8M6-S-SZ | 11.6 | 8 | M6 | 4 | 4 | 16 | 7 |
| GN.72727 | GN 50B-8M8-S-SZ | 11.6 | 8 | M8 | 4 | 4 | 16 | 6 |
| GN.72733 | GN 50B-10M4-S-SZ | 14 | 10 | M4 | 5.5 | 5.5 | 20 | 22 |
| GN.72739 | GN 50B-10M5-S-SZ | 14 | 10 | M5 | 5.5 | 5.5 | 20 | 21 |
| GN.72745 | GN 50B-10M6-S-SZ | 14 | 10 | M6 | 5.5 | 5.5 | 20 | 20 |
| GN.72750 | GN 50B-10M8-S-SZ | 14 | 10 | M8 | 5,5 | 5,5 | 20 | 19 |

